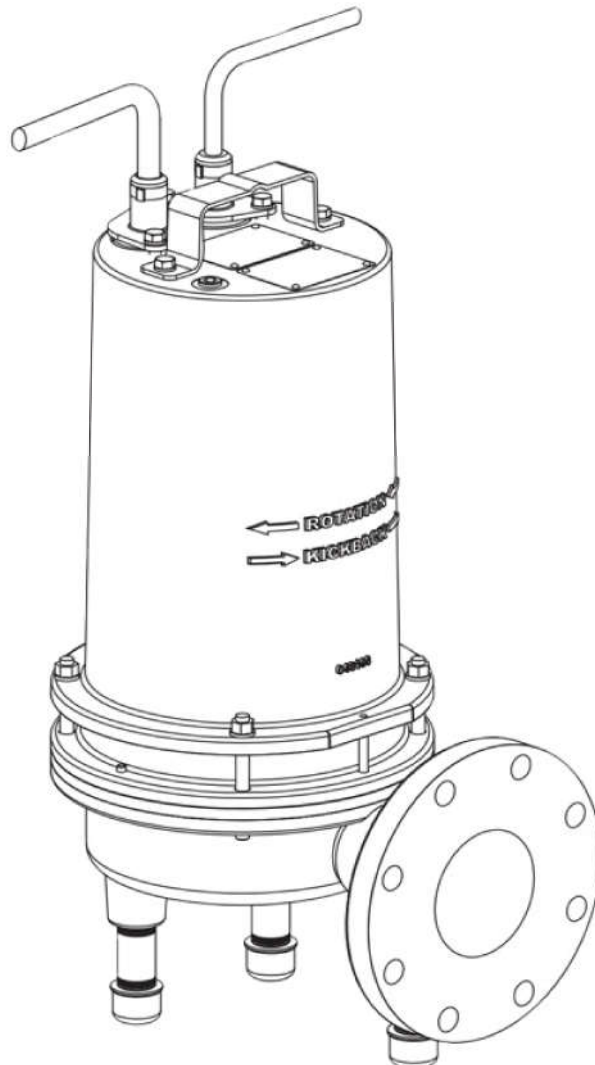


4SE-L – 5 HP

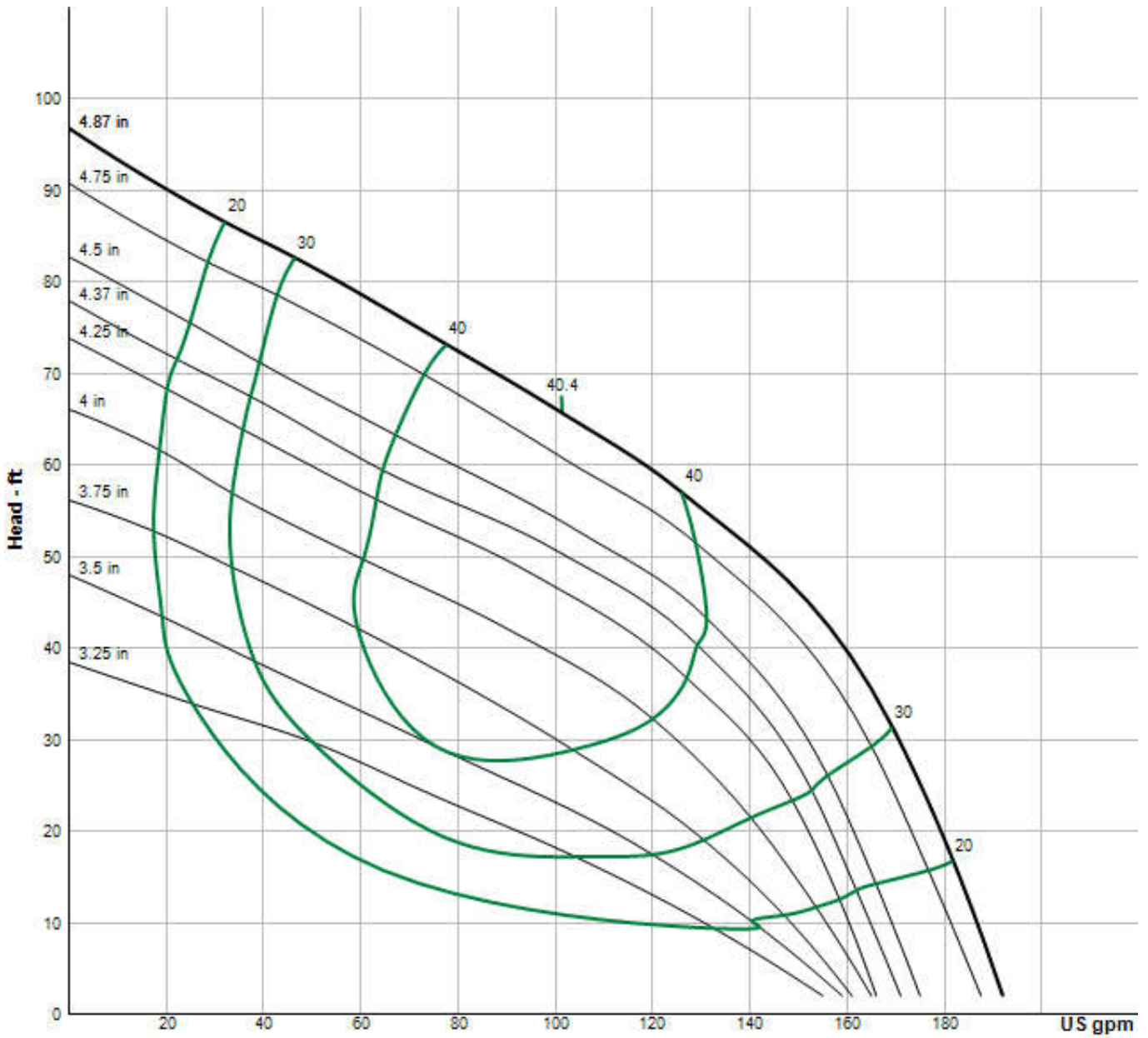
1.5" Spherical Solids Handling



Specifications

DISCHARGE:	4" 125lb., Horizontal flange
SPEED:	3450 RPM (Nominal)
IMPELLER:	Design: 2 Vane, semi-open with pump out vanes on back side, Dynamically Balanced, ISO G6.3
CORD ENTRY:	30 ft. (9.1 m) Cord. Quick connect custom molded for sealing and strain relief
MOTOR:	Design: NEMA B - three phase torque curve, oil filled, squirrel cage induction Winding: Class B, class H rated magnet wire Service Factor: 1.15
SEAL:	Design: Double mechanical, oil filled pressure equalized reservoir Material: Carbon/Ceramic/Buna-N
LIQUID TEMPERATURE:	104°F (40°C) Continuous
VOLUTE:	Cast iron ASTM A-48, class 30
MOTOR HOUSING	Cast iron ASTM A-48, class 30
SEAL PLATE:	Cast iron ASTM A-48, class 30
SHAFT:	416 Stainless steel
SQUARE RINGS:	Buna-N
HARDWARE:	300 Series stainless steel
PAINT:	Air dry enamel (epoxy optional)
UPPER BEARING:	Upper Bearing: <ul style="list-style-type: none"> • Design: Single row, ball, oil lubricated • Load: Radial
DIAPHRAGM	Buna-N
THREE PHASE:	Dual voltage motor 230/460/575. Requires overload protection to be included in control panel, VFD suitable
MOISTURE SENSOR	Normally open (N/O), requires relay in control panel
TEMPERATURE SENSOR:	Normally Closed (N/C), Requires relay in control panel. For three phase units ONLY

Curves

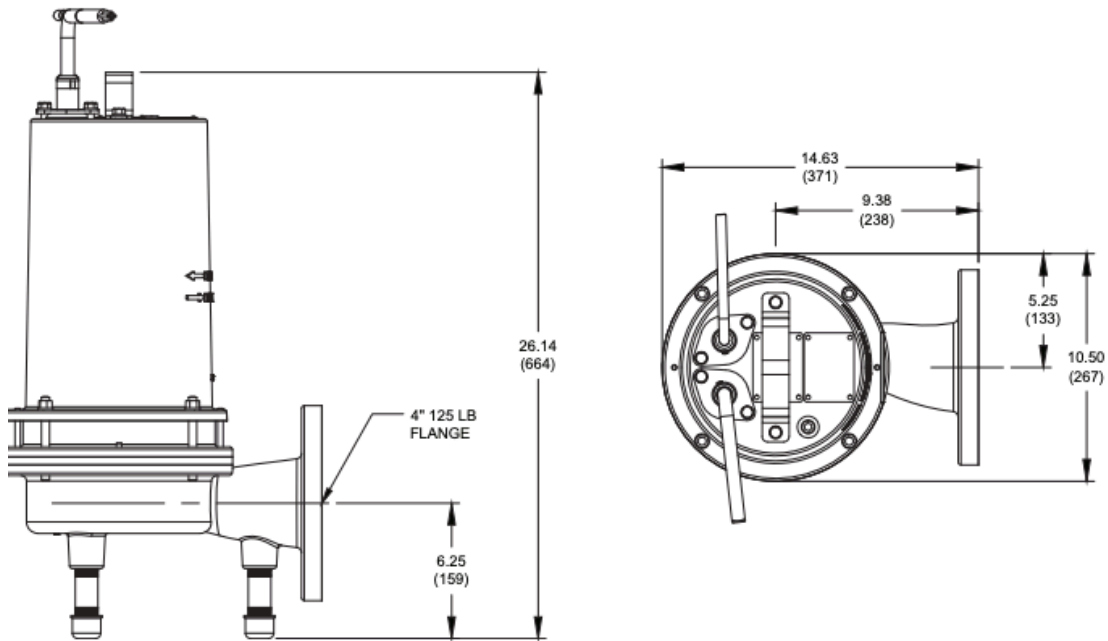



Pump HP	Impeller Dia in. (mm)
5.0	4.88 (124)

Model Information

PUMP MODEL NUMBER	4SE5032L	4SE5042L	4SE5052L
PART NUMBER	133156	133157	133158
HP	5	5	5
VOLTAGE/PHASE	230/3	460/3	575/3
HZ	60	60	60
RPM (NOMINAL)	3450	3450	3450
NEMA START CODE	B	B	B
FULL LOAD AMPS	16.4	8.2	6.5
LOCKED ROTOR AMPS	40	20	16
CORD SIZE	12/4	14/4	14/4
CORD TYPE	SOOW/SOW	SOOW/SOW	SOOW/SOW
CORD O.D INCH (MM)	.68 (17.4)	.57 (14.5)	.57 (14.5)

Drawing



 All dimensions are in inches (mm)